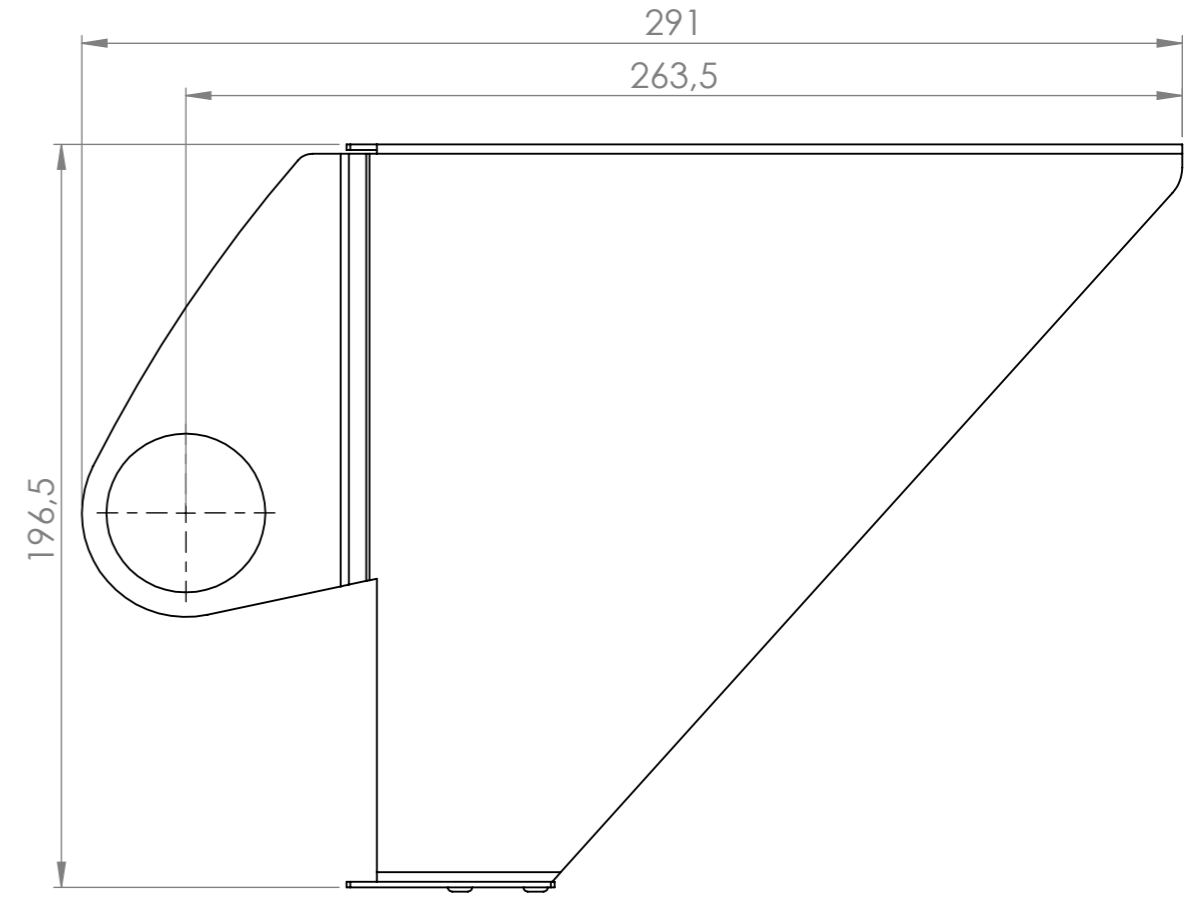
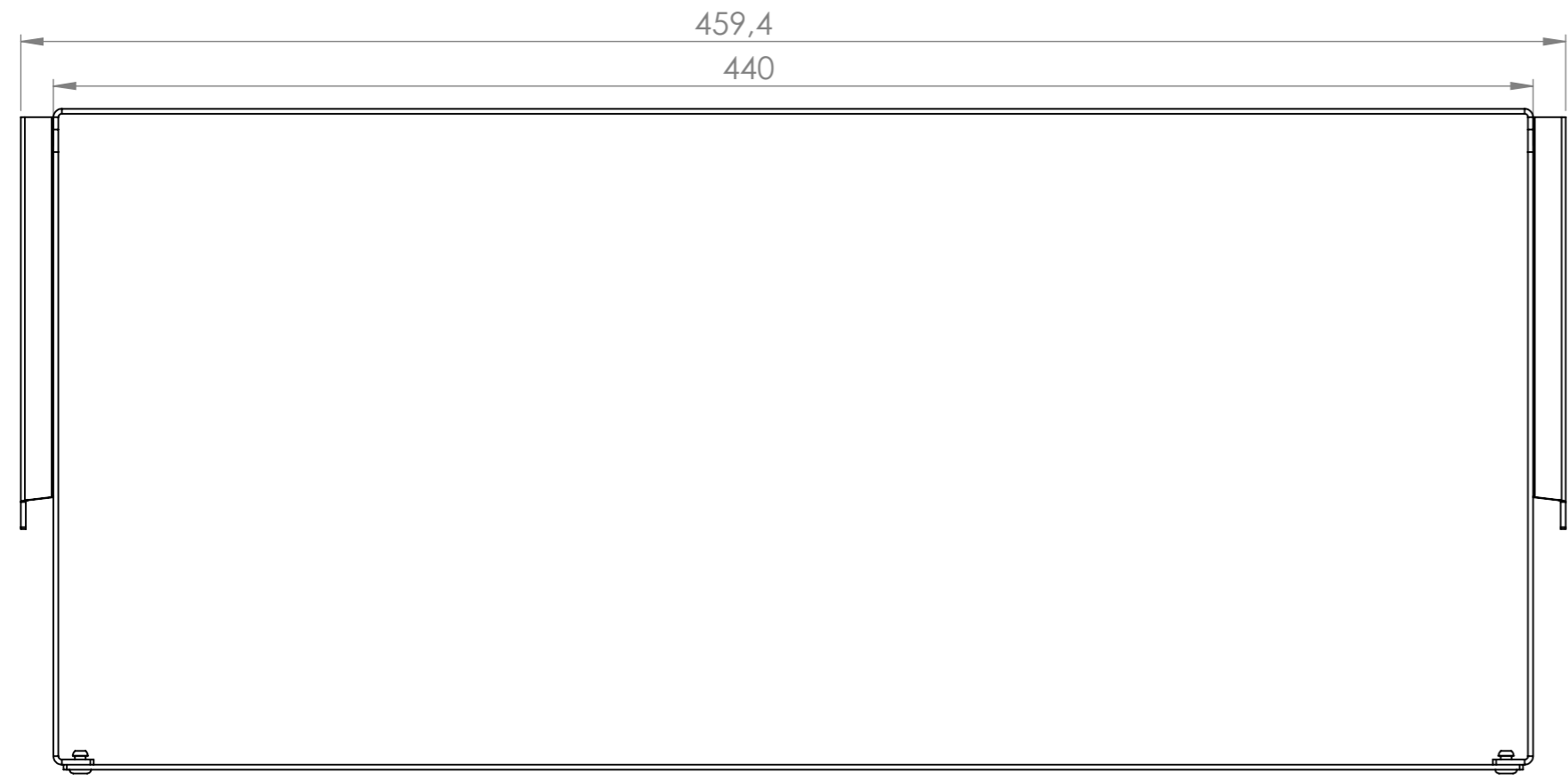
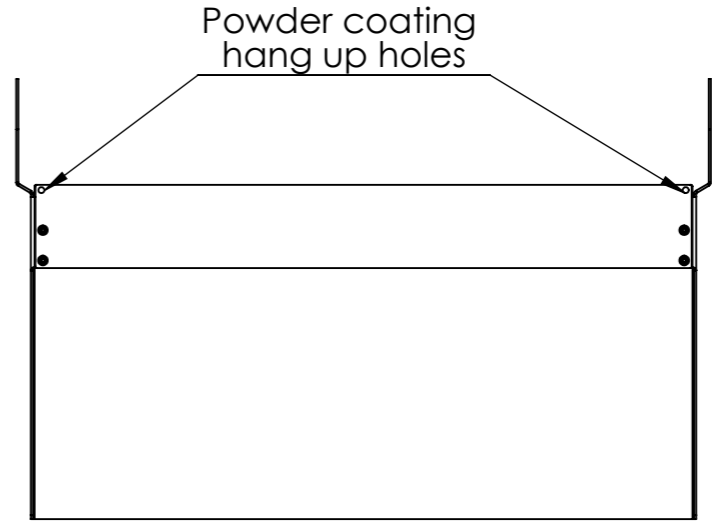
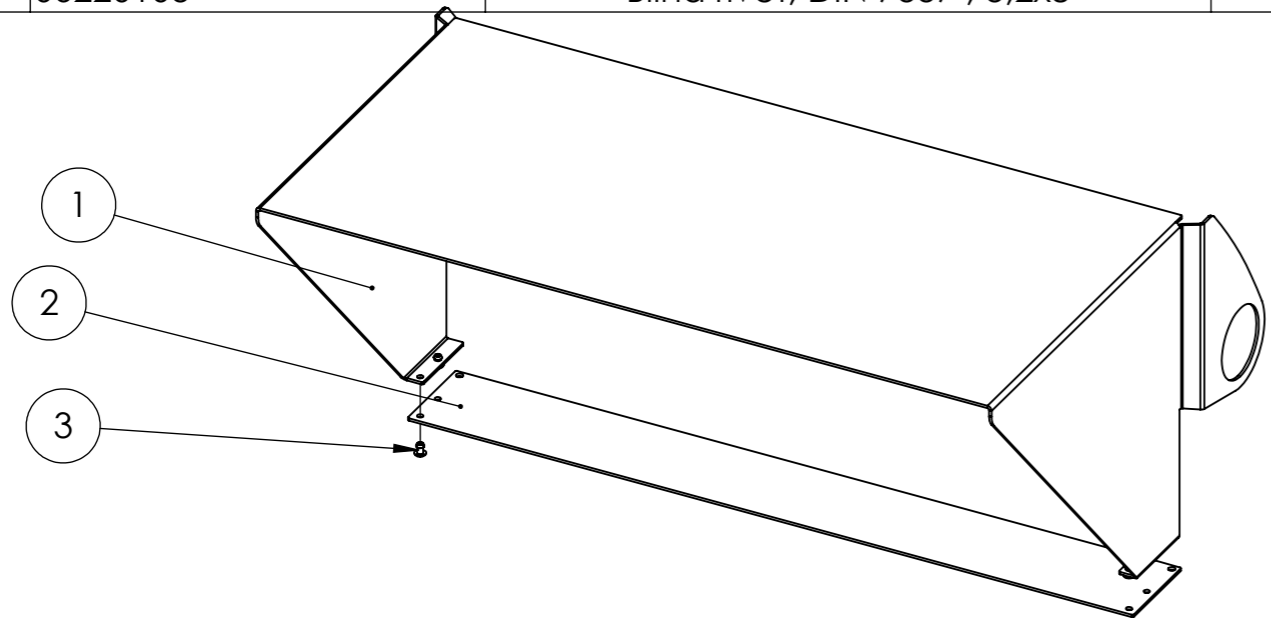


ITEM NO.	PART NUMBER	DESCRIPTION	QTY.
1	17000472-A	Plate, Anti glare shield - half, P-5, Q-7, i-5 - Top	1
2	17000473-A	Plate, Anti glare shield - half, P-5, Q-7, i-5 - Bottom	1
3	06220103	Blind rivet, DIN 7337 , 3,2x8	4

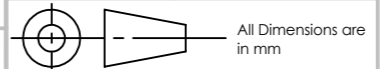
REVISIONS				
REV.	DESCRIPTION	ECO	DATE	CHANGED BY
A	New item		09-10-2017	TSA



Tolerances according to ISO 2768-1: M

Nominal size	Permissible deviations
0,5 up to 3	±0,1
over 3 up to 6	±0,1
over 6 up to 30	±0,2
over 30 up to 120	±0,3
over 120 up to 400	±0,5
over 400 up to 1000	±0,8
over 1000 up to 2000	±1,2

DEBUR AND BREAK SHARP EDGES



DO NOT SCALE DRAWING

NAME	DATE
Created By	Wednesday, 27 September 2017 16:51:39
Last saved By	Thursday, 28 June 2018 15:56:20
FINISH: Oxylan + Powdercoating	
MATERIAL:	
WEIGHT: 278.07	

SGM<sup>®</sup> PAPER SIZE: A3

TITLE:  
**Half Anti-Glare Shield, P-5, Q-7, i-5 Series**

DWG NO.:  
**63061162-A**

SCALE: 1:5 SHEET 1 OF 1